

## DS 6

### Electronic OEM Pressure Switch

#### Applications:

- ▶ mechanical engineering / hydraulics
- ▶ measuring, control and process technology

#### Characteristics:

- ▶ nominal pressure ranges from 0 ... 2 bar up to 0 ... 400 bar
- ▶ 1 or 2 contacts
- ▶ configurable via PC or programming device P6
- ▶ optional:  
oil- and fat free version



#### Technical Data

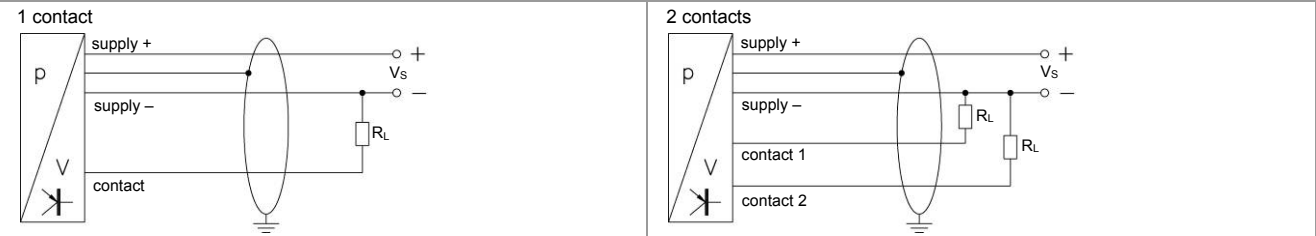


Input pressure range									
Nominal pressure gauge	[bar]	2	5	10	20	50	100	200	400
Nominal pressure abs.	[bar]	2	5	10	20	50	100	200	400
Overpressure	[bar]	7	12	25	50	120	250	400	600
Supply									
Supply voltage	V <sub>S</sub> = 12 ... 30 V <sub>DC</sub>								
Current consumption	max. 14 mA (without contacts)								
Contacts									
Number	standard: 1				option: 2				
Type	PNP								
Switching performance	max. 300 mA, short-circuit proof								
Accuracy of contacts	IEC 60770: ≤ ± 1 % FSO								
Repeatability	≤ ± 0.2 % FSO								
Minimum hysteresis of contacts	≤ ± 0.5 % FSO								
Status indication	SP 1: green				SP 2: yellow				
Switching function <sup>1</sup>	standard: n/o				option: n/c				
Switching mode <sup>1</sup>	standard: hysteresis mode				option: window mode				
Switch on point <sup>1</sup>	standard: factory setting 80 % FSO others: specify on order; adjustable range 5 ... 100 % FSO								
Switch off point <sup>1</sup>	standard: factory setting 75 % FSO others: specify on order; adjustable range 5 ... 100 % FSO								
Switch on / switch off delay <sup>1</sup>	standard: off others: specify on order, adjustable range from 10 msec up to 90 sec (step 10 msec)								
Switching frequency	200 Hz (without switching delay)								
Switching cycles	> 100 x 10 <sup>6</sup>								
<sup>1</sup> Parameters can be programmed by customer either with the programming kit CIS-G or with the programming device P6 (available as accessories).									
Thermal effects (Offset and Span) / Permissible temperatures									
Thermal error	≤ ± 0.3 % FSO / 10 K				in compensated range -25 ... 85 °C				
Permissible temperatures	medium / electronics / environment: -25 ... 85 °C				storage: -40 ... 85 °C				

<b>Electrical protection</b>		
Short-circuit protection	permanent	
Reverse polarity protection	no damage, but also no function	
Electromagnetic compatibility	emission and immunity according to EN 61326	
<b>Mechanical stability</b>		
Vibration	10 g RMS (20 ... 2000 Hz)	according to DIN EN 60068-2-6
Shock	100 g / 11 msec	according to DIN EN 60068-2-27
<b>Materials</b>		
Pressure port	stainless steel 1.4301 (304)	
Housing	stainless steel 1.4305 (303)	
Seals (media wetted)	standard: FKM	option: EPDM
Diaphragm	ceramic Al <sub>2</sub> O <sub>3</sub> 96 %	
Media wetted parts	pressure port, seals, diaphragm	
<b>Miscellaneous</b>		
Weight	approx. 90 g	
Installation position	any	
Operational life	100 million load cycles	
Ingress protection	IP 67	
CE-conformity	EMC Directive: 2014/30/EU	Pressure Equipment Directive: 2014/68/EU (module A) <sup>2</sup>

<sup>2</sup> This directive is only valid for devices with maximum permissible overpressure > 200 bar

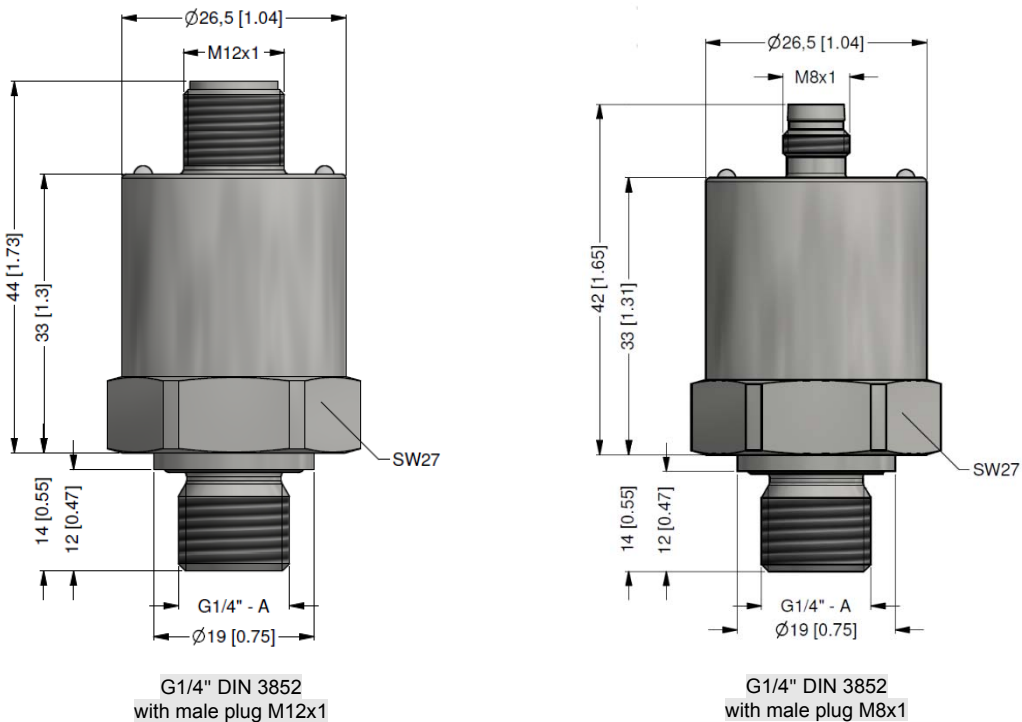
**Wiring diagrams**



**Pin configuration**

Electrical connection	M12x1 (4-pin), metal		M8x1 (4-pin), metal	
Supply +	1		1	
Supply -	3		3	
Contact 1	4		4	
Contact 2	2		2	
Shield	plug housing		plug housing	

**Dimensions (mm / in)**



© 2020 BD|SENSORS GmbH – The specifications given in this document represent the state of engineering at the time of publishing. We reserve the right to make modifications to the specifications and materials.

